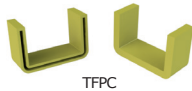
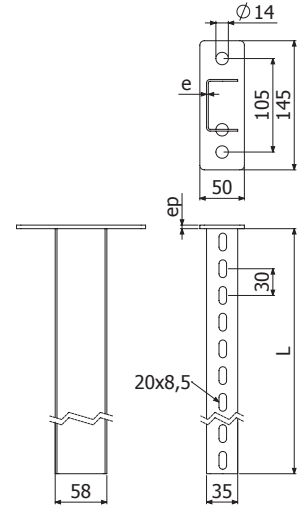


SUL


	L		e	ep	Fmáx	Mmáx	GC	
	mm	inch					REF.	kg/ud
SUL 210	210	8 1/4"	2	4	383	34,44	2/4518	0,57
SUL 300	300	12"	2	4	383	34,44	2/4519	0,75
SUL 600	600	24"	2	4	383	34,44	2/7280	1,37

TFCP PVC (2/14809)

SCR/SRB/SPL/SHL + 2/100 x B2 (2/6792-GC / 2/4926-EZ)

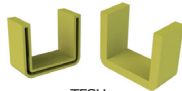
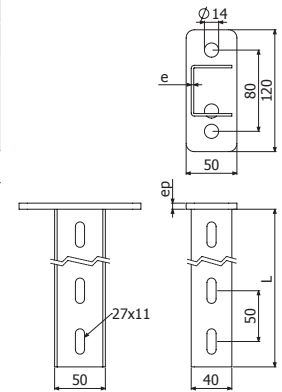

TFCP
SU


	L		e	ep	Fmáx	Mmáx	Cd	GC		i304		i316	
	mm	inch						REF.	kg/ud	REF.	kg/ud	REF.	kg/ud
SU 400	400	16"	2,5	6	656	51,55	0,191	2/7142	1,19	2/17148	1,13	2/18473	1,13
SU 600	600	24"	2,5	6	656	51,55	0,287	2/7143	1,64	2/17149	1,56	2/18474	1,56
SU 800	800	32"	2,5	6	656	51,55	0,398	2/7144	2,09	2/17150	1,99	2/18475	1,99

TFSU PVC (2/12114)

SCR/SRB/SHL/SHR + 2/100 x B2 (2/6792-GC / 2/4926-EZ / 2/5392-i304 / 2/18443-i316)

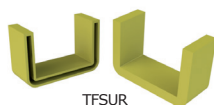
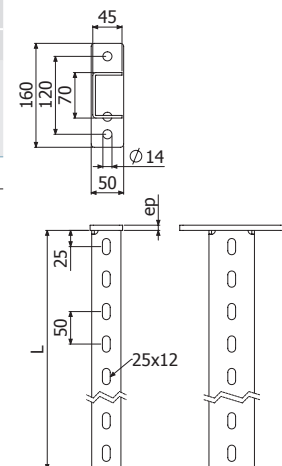
SHST


TFSU
SUR


	L		e	ep	Fmáx	Mmáx	Cd	GC		i304		i316	
	mm	inch						REF.	kg/ud	REF.	kg/ud	REF.	kg/ud
SUR 600	600	24"	4	8	1100	145	0,080	2/7487	3,33	2/17598	2,99	2/18476	2,99
SUR 800	800	32"	4	8	1100	145	0,131	2/7488	4,28	2/17599	3,83	2/18477	3,83
SUR 1000	1000	40"	4	8	1100	145	0,204	2/7489	5,22	2/9881	5,06	2/18478	5,06

TFSUR PVC (2/14254)

SHL/SHR/SP/SPD + 2/50 B3 (2/8827-GC / 2/12096-i304 / 2/15575-i316)


TFSUR